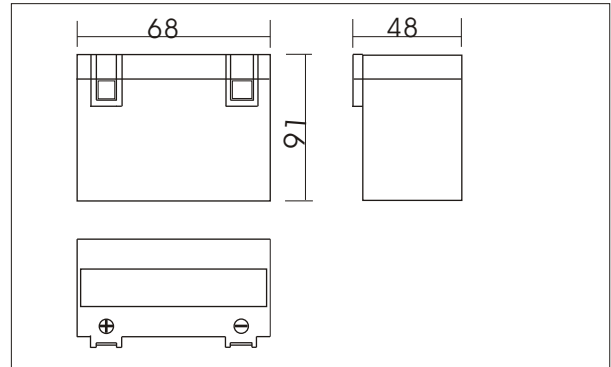


SW832T25(8V3.2AH)



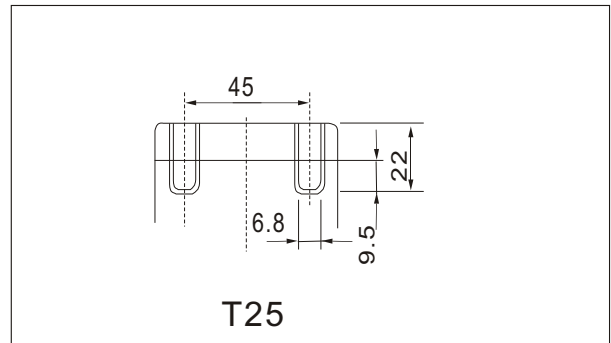
● Outer dimensions (mm)



● Specifications

Nominal Voltage		8 V
Rated capacity (20 hour rate)		3.2 Ah
Dimensions	Total Height	91 mm (3.58 inches)
	Height	91 mm(3.58 inches)
	Length	68mm(2.68 inches)
	Width	48 mm(1.89 inches)
Weight Approx		0.73Kg (1.61lbs)

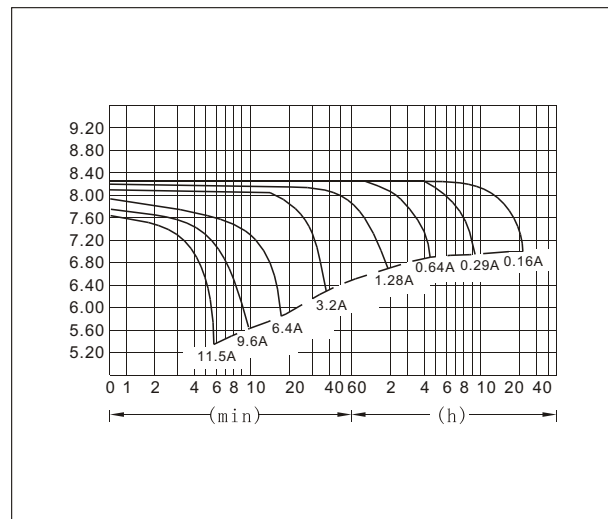
● Terminal Type (mm)



● Characteristics

Capacity 25°C(77°F)	20 hour rate(0.165A)	3.20 AH
	10 hour rate(0.29A)	2.90 AH
	5 hour rate(0.55A)	2.75 AH
	1 hour rate(1.92A)	1.92 AH
	1.5 hour discharge to 7.00 V	1.38 A
Internal Resistance	Full charged Battery at 25°C(77°F)	34m Ω
Capacity affected by Temperature (20hour rate)	40°C(104°F)	102%
	25°C(77°F)	100%
	0°C(32°F)	85%
	-15°C(5°F)	65%
	Self-Discharge at 25°C(77°F)	Capacity after 3 month storage
	Capacity after 6 month storage	82%
	Capacity after 12 month storage	64%
Terminal		T25
Charge (constant Voltage)	Cycle	Initial Charging Current less than 1.28A Voltage 9.60-9.80 V
	Float	Voltage 9.00-9.20V

● Discharge Curves 25°C(77°F)



Constant Current(Amp) and Constant Power(Watt) Discharge Table at 25°C(77°F)

Time		5min	10min	15min	30min	1h	2h	3h	4h	5h	8h	10h	20h
6.40V	A	11.5	7.55	5.60	3.68	1.92	1.12	0.82	0.66	0.56	0.37	0.30	0.17
	W	79.7	54.1	40.0	26.4	13.8	8.20	6.11	4.96	4.25	2.83	2.33	1.28
6.80V	A	10.6	7.23	5.15	3.49	1.80	1.07	0.80	0.64	0.55	0.36	0.30	0.16
	W	75.6	53.9	38.4	26.1	13.6	8.26	6.18	4.96	4.28	2.84	2.33	1.26
7.00V	A	9.61	6.75	4.80	3.39	1.74	1.05	0.79	0.61	0.55	0.36	0.29	0.16
	W	70.4	51.2	36.5	26.0	13.5	8.14	6.11	4.74	4.28	2.82	2.32	1.26
7.20V	A	9.24	6.45	4.48	3.29	1.69	1.03	0.77	0.60	0.52	0.35	0.29	0.16
	W	69.1	49.6	34.4	25.4	13.1	8.02	6.08	4.70	4.10	2.77	2.27	1.24
7.40V	A	8.54	6.08	4.16	3.20	1.63	1.00	0.73	0.59	0.50	0.34	0.28	0.15
	W	64.6	46.9	32.3	25.0	12.8	7.88	5.81	4.66	3.96	2.73	2.25	1.23